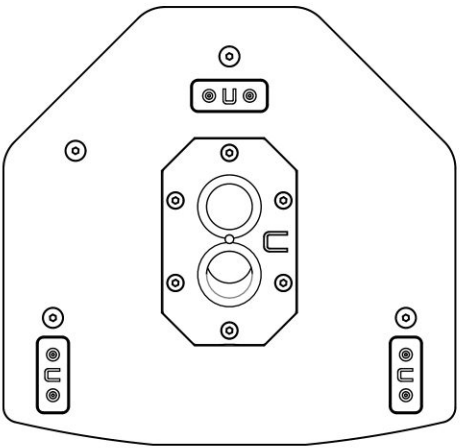
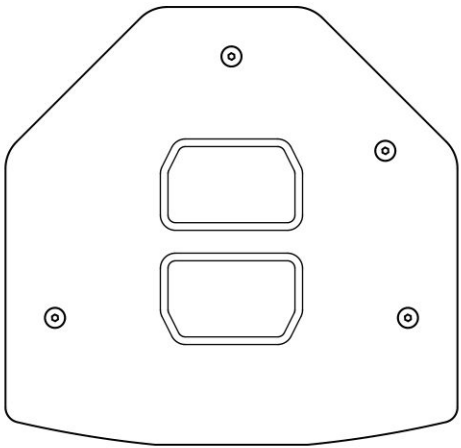
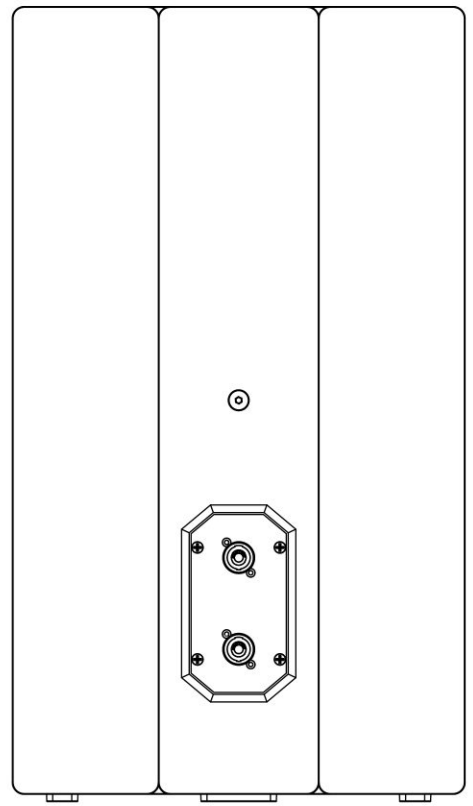
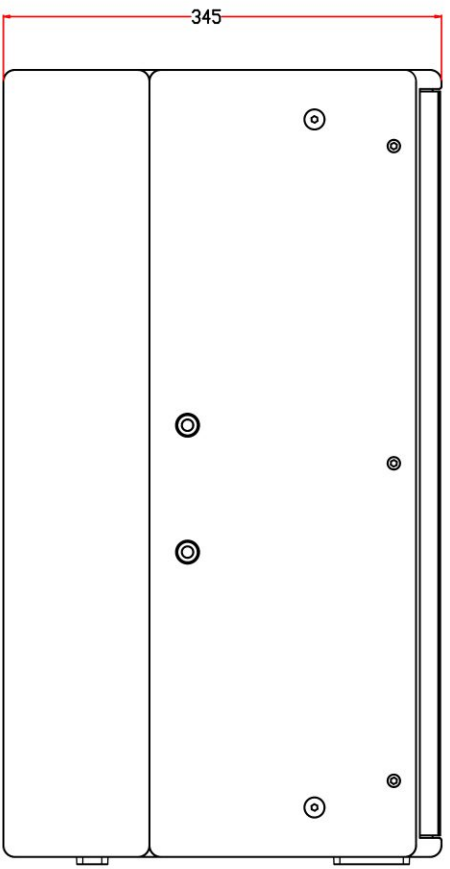
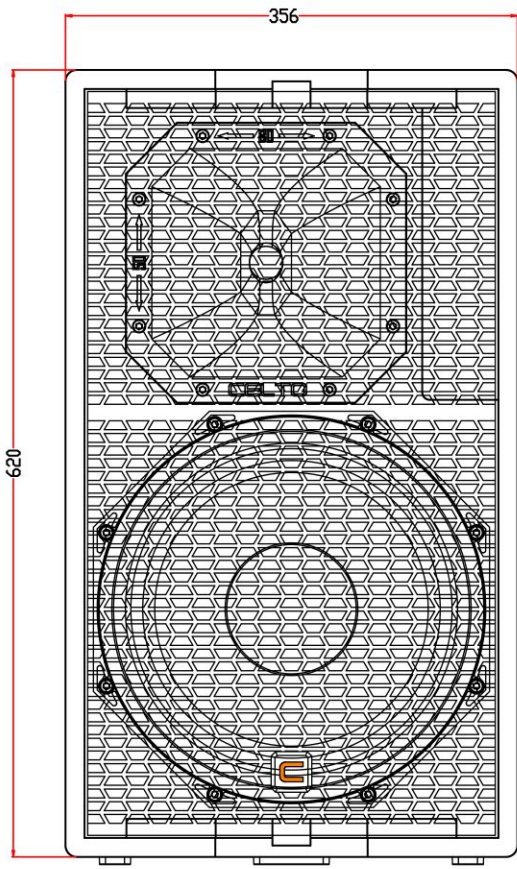


A
0



MODEL	CT12 G2	PN	101427	UNIT	MM	OF
PART NAME	WOOD CABINET	APPROVED		THIRD ANGLE PROJECTION		1
MATERIAL	BIRCH PLY WOOD	DATE	20191106			PAGE
SCALE	1:1					1
DRAWER	EVAN					