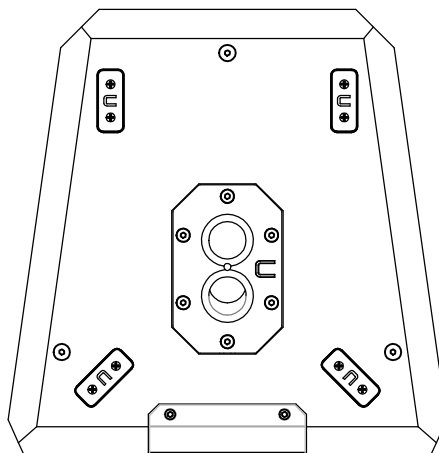
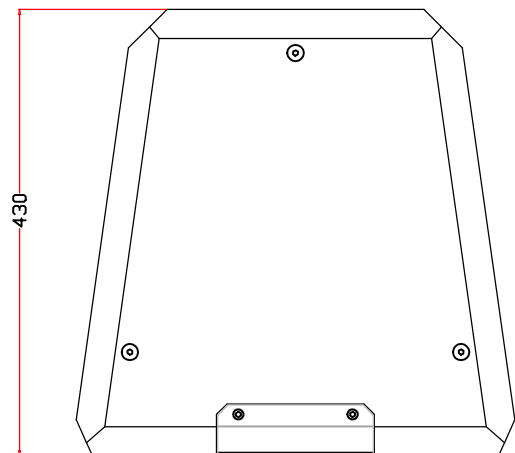
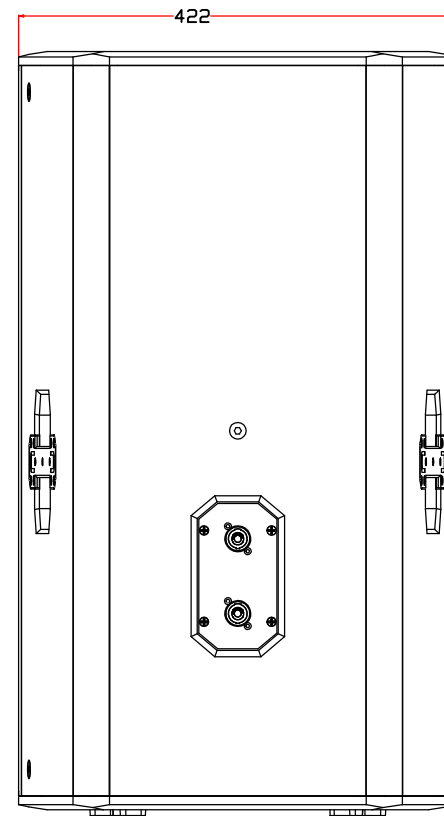
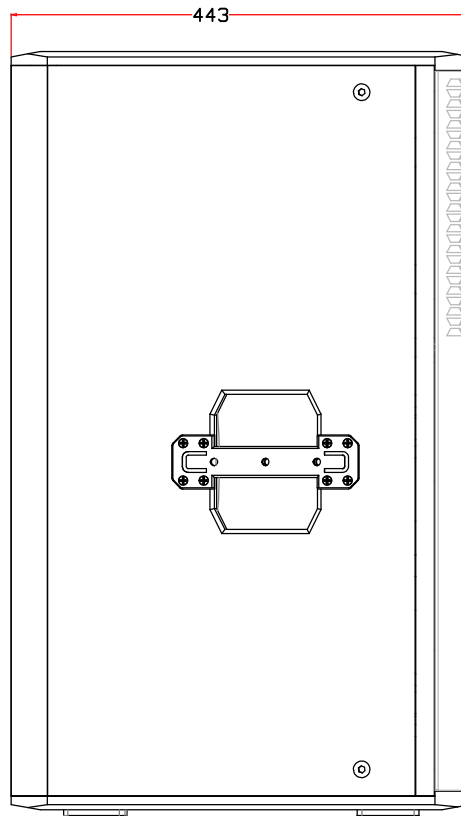
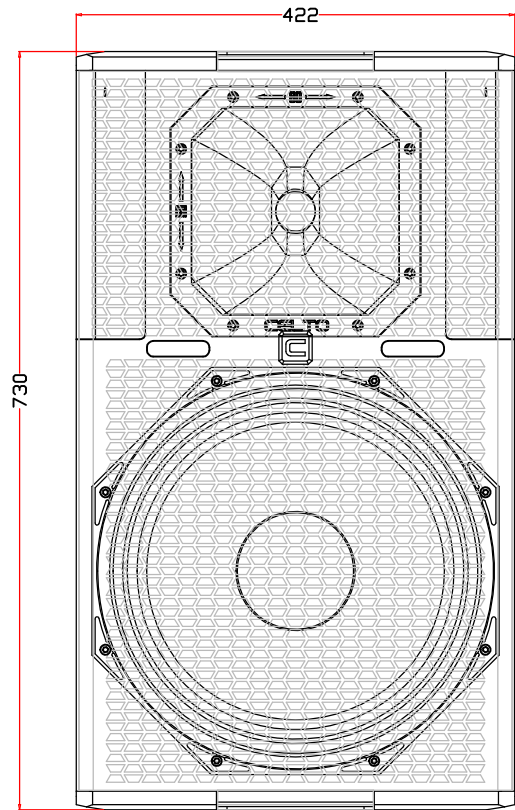


AO



MODEL	PM15	PN	1010259	UNIT	MM	OF
PART NAME	WOOD CABINET	APPROVED		THIRD ANGLE PROJECTION		1
MATERIAL	BIRCH PLY WOOD	DATE	20150303			PAGE
SCALE	1:1					1
DRAWER	ARTHUR					